

# X-FLOW™ CHOKE MANIFOLD

**More than just a manifold**

## DIMENSIONS

**Height:** 1200 mm

**Width:** 2000 mm

**Depth:** 2000 mm

**Weight:** 5000 kg

**Flanges:** 2-9/16"

**Flow piping:** 3"

## MATERIALS

**Seal rings:** 316L/ 6MO

**Valves:** AISI 410 Stainless Steel

**Pipes:** Duplex UNS S31803

**Frame:** S355 Carbon steel

**Nuts, bolts:** A320 L7 + Standard galvanic 8.8

## CERTIFICATIONS

NACE MR0175

522 Regulation for machines

Norsok Z-015, Zone II

API 6A

## CAPACITY

**Maximum flow rate (fluid):** 2200 liters/min

**Maximum flow rate (gas):** 100 mil Scf3/day

**Working Pressure:** 1-345 bar

**Design Pressure:** 345 bar

## TEMPERATURE

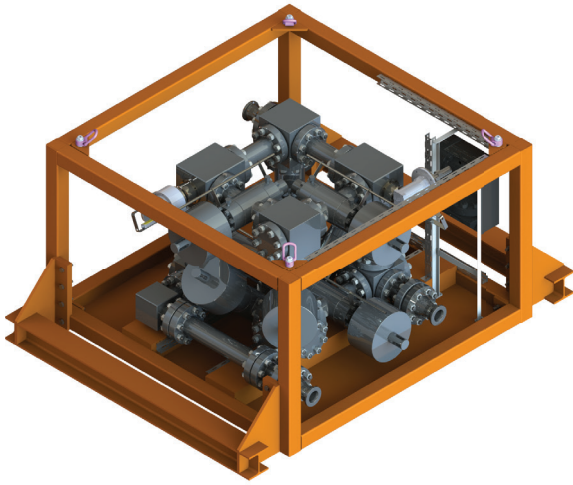
**Min. operating temperature:** -28 C°

**Max. operating temperature:** + 120 C°

The X-Flow™ Choke Manifold reduces the amount of temporary flowback iron (pipework) commonly in half. X-Flow™ Choke Manifold consists of two individual choke valves with integrated changeable flow paths. This also provides flexibility to connect wells either to the LP or HP lines when irregular flow is expected, an automated dampening system can be included to ensure a steady flow. The X-Flow™ Choke can be used in conjunction with any FourPhase flowback equipment or as a standalone application.

## Market differentiating technology

- Directional flow control
- Reversible flowpath
- Allows flowback from all manifold systems
- Integrated dual remote choke
- Process interlock system



# X-FLOW™ CHOKE MANIFOLD

More than just a manifold

## DIMENSIONS

**Height:** 3.9 ft  
**Width:** 6.6 ft  
**Depth:** 6.6 ft  
**Weight:** 1 100 lb  
**Flanges:** 2-9/16"  
**Flow piping:** 3"

## MATERIALS

**Seal rings:** 316L/ 6MO  
**Valves:** AISI 410 Stainless Steel  
**Pipes:** Duplex UNS S31803  
**Frame:** S355 Carbon steel  
**Nuts, bolts:** A320 L7 + Standard galvanic 8.8

## CERTIFICATIONS

NACE MR0175  
 522 Regulation for machines  
 Norsok Z-015, Zone II  
 API 6A

## CAPACITY

**Maximum flow rate (fluid):** 6.9 bbl/min  
**Maximum flow rate (gas):** 120 mil Scf/day  
**Working Pressure:** 1-5 000 psi  
**Design Pressure:** 5 000 psi

## TEMPERATURE

**Min. operating temperature:** -18,4 °F°  
**Max. operating temperature:** +248 °F

The X-Flow™ Choke Manifold reduces the amount of temporary flowback iron (pipework) commonly in half. X-Flow™ Choke Manifold consists of two individual choke valves with integrated changeable flow paths. This also provides flexibility to connect wells either to the LP or HP lines when irregular flow is expected, an automated dampening system can be included to ensure a steady flow. The X-Flow™ Choke can be used in conjunction with any FourPhase flowback equipment or as a standalone application.

## Market differentiating technology

- Directional flow control
- Reversible flowpath
- Allows flowback from all manifold systems
- Integrated dual remote choke
- Process interlock system