

5K SURFACE SAFETY VALVE (SSV)

Remote operation and multiple applications

DIMENSIONS

Height: 893 mm

Width: 422 mm

Depth: 324 mm

Weight: 254 kg

MATERIALS

Seal rings: R-27

Nuts, bolts: L7 + Standard galvanic 8.8

CERTIFICATIONS

NACE MR0175

Norsok Z-015, ZONE II

CAPACITY

Maximum flow rate (fluid):

2 200 liters/min

Maximum flow rate (gas):

200 000 scm/day

Working pressure:

1 - 345 bar

Design pressure:

345 bar

TEMPERATURE

Min. operating temperature: -28 C°

Max. operating temperature: + 100 C°

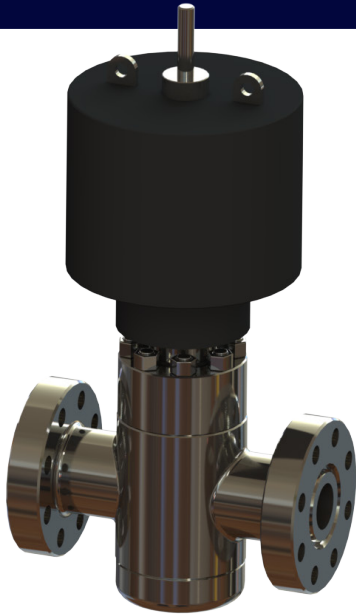
Contingency for at any flowback operation

5K SSV is designed for contingency at any flowback operation. The SSV is controlled by the rig Emergency Shut Down (ESD) system that will close the SSV remotely in an emergency. The unit is fail-safe and any interruption to the ESD air supply will automatically close the SSV. The 5K SSV can be used in conjunction with any FourPhase flowback equipment or as a standalone application.

Multiple applications

- Well testing
- Well cleanups

The SSV is also available in 10K and 15K pressure ratings.



5K SURFACE SAFETY VALVE (SSV)

Remote operation and multiple applications

DIMENSIONS

Height: 2.9 ft

Width: 1.4 ft

Depth: 1 ft

Weight: 560 lbs

MATERIALS

Seal rings: R-27

Nuts, bolts: L7 + Standard galvanic 8.8

CERTIFICATIONS

NACE MR0175

Norsok Z-015, ZONE II

CAPACITY

Maximum flow rate (fluid):

13.8 bbl/min

Maximum flow rate (gas):

7 MMscf/day

Working pressure:

1 - 5000 psi

Design pressure:

5000 psi

TEMPERATURE

Min. operating temperature: -18.4 °F

Max. operating temperature: + 212 °F

Contingency for at any flowback operation

5K SSV is designed for contingency at any flowback operation. The SSV is controlled by the rig Emergency Shut Down (ESD) system that will close the SSV remotely in an emergency. The unit is fail-safe and any interruption to the ESD air supply will automatically close the SSV. The 5K SSV can be used in conjunction with any FourPhase flowback equipment or as a standalone application.

Multiple applications

- Well testing
- Well cleanups

The SSV is also available in 10K and 15K pressure ratings.